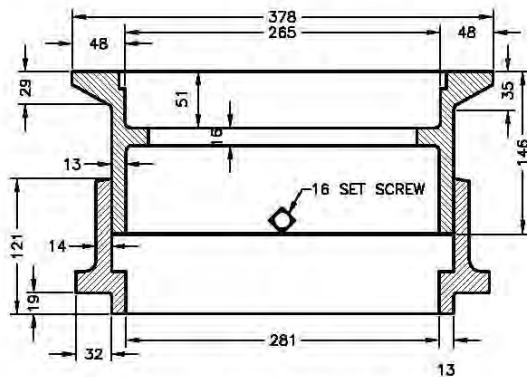
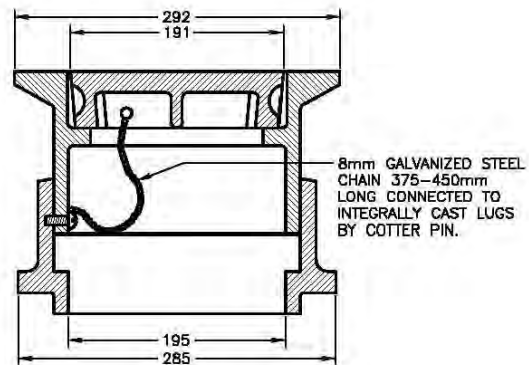


LID

NOTE:
PAINT UNDERSIDE OF LID TREMCLAD YELLOW WHEN
RESILIENT SEAT GATE VALVE UTILIZED.



SECTION A-A



SECTION B-B

NOTE: SIMILAR TO DOBNEY FOUNDRY DWG. No. D1 & TERMINAL CITY DWG. No. B25

NOTE:
ALL DIMENSIONS SHOWN IN mm
UNLESS OTHERWISE NOTED.

THE CORPORATION OF DELTA ENGINEERING DEPARTMENT TELESCOPIC C.I. VALVE BOX FRAME & COVER				DSN.	DRN.	DWG. No.	
				CHKD.	APVRD.	L 4.3	
				SCALE	N.T.S.		
				DATE	2014-03-13	RVSN.	
DATE	REVISION	No.	BY				
REVISIONS							