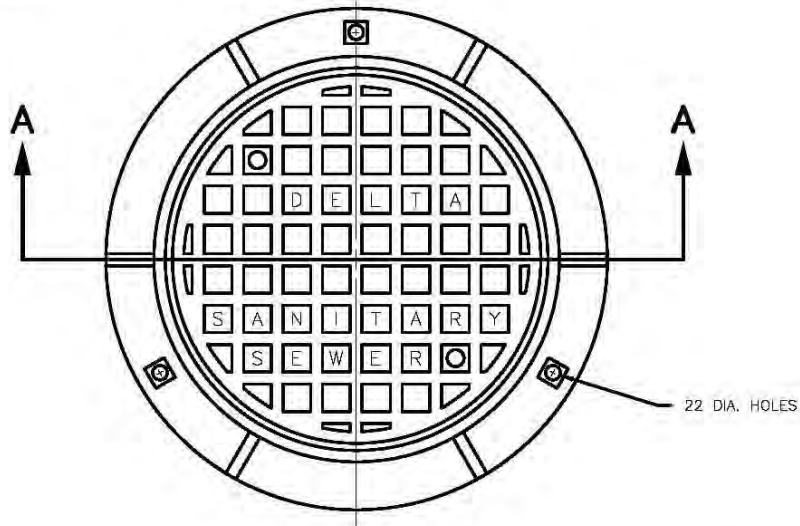
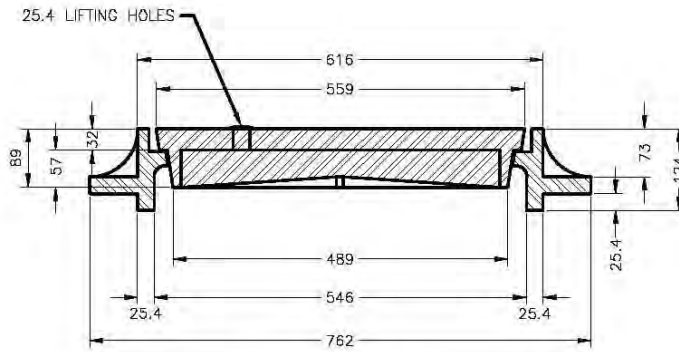


COVER TO BE MARKED DELTA  
SANITARY SEWER OR DELTA  
STORM SEWER AS APPLICABLE



**PLAN**

MINIMUM WEIGHTS  
COVER - 61 Kg  
FRAME - 109Kg



**SECTION A-A**

COVER & FRAMES SHALL BE HOT  
ASPHALT DIPPED AND MACHINED TO  
FIT

SIMILAR TO :  
DOBNEY FOUNDRY CO.  
COVER & FRAME No. C-12 OR C-18 OR C-20 (LOW PROFILE)  
MAINLAND FOUNDRY CO.  
COVER No. 3R-25A  
FRAME No. 3R-25  
K-CASTING COVER & FRAME CK-18

**NOTE:**

ALL DIMENSIONS SHOWN IN mm  
UNLESS OTHERWISE NOTED.

THE CORPORATION OF DELTA ENGINEERING DEPARTMENT  <b>LOW PROFILE MANHOLE COVER &amp; FRAME</b>				DSN.	DRN.	DWG. No.	
				CHKD.	APVRD.	L 5.1	
				SCALE	N.T.S.	L 6.1	
				DATE	2014-03-13	RVSN.	
DATE	REVISION	No.	BY				
REVISIONS							