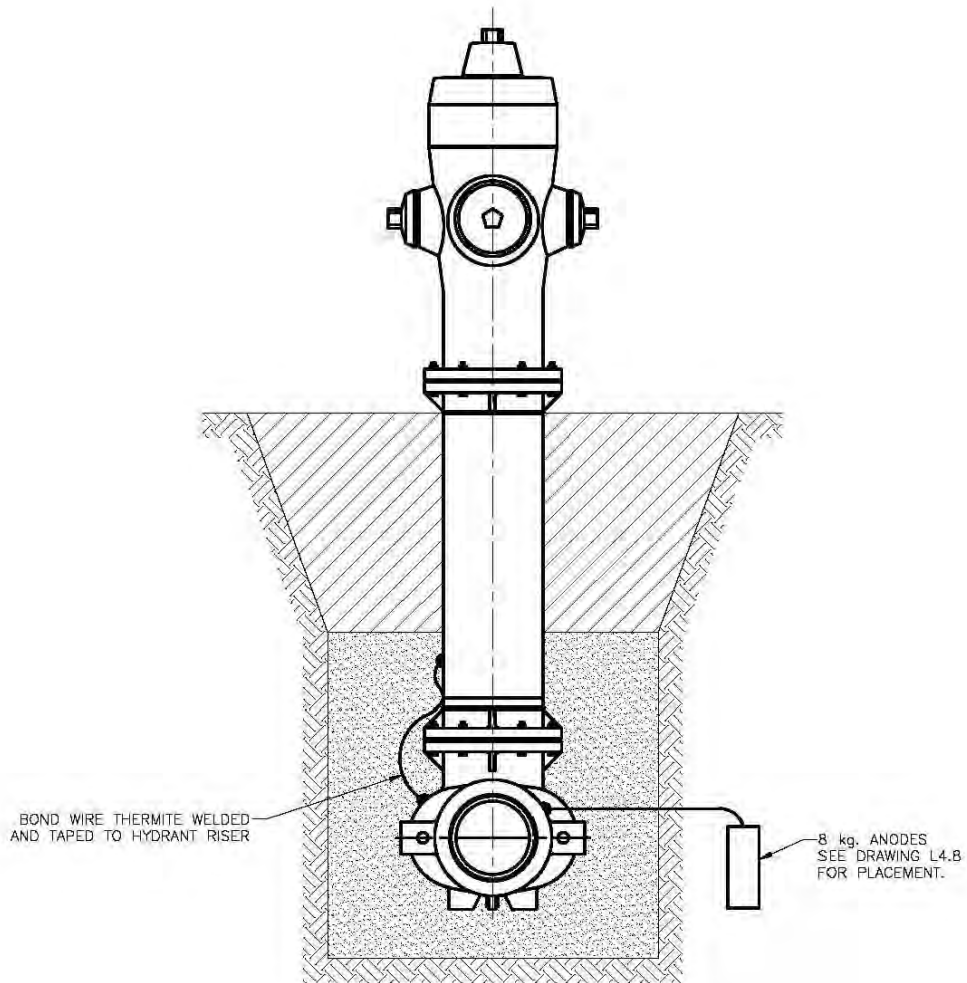


PLAN



ELEVATION

DATE	REVISION	No.	BY
REVISIONS			

THE CORPORATION OF DELTA
ENGINEERING DEPARTMENT
**CATHODIC PROTECTION ANODE
PLACEMENT ON HYDRANT**

DSN.	DRN.	DWG. No.
CHKD.	APVRD.	L 4.9
SCALE	N.T.S.	
DATE	2014-03-13	RVSN.